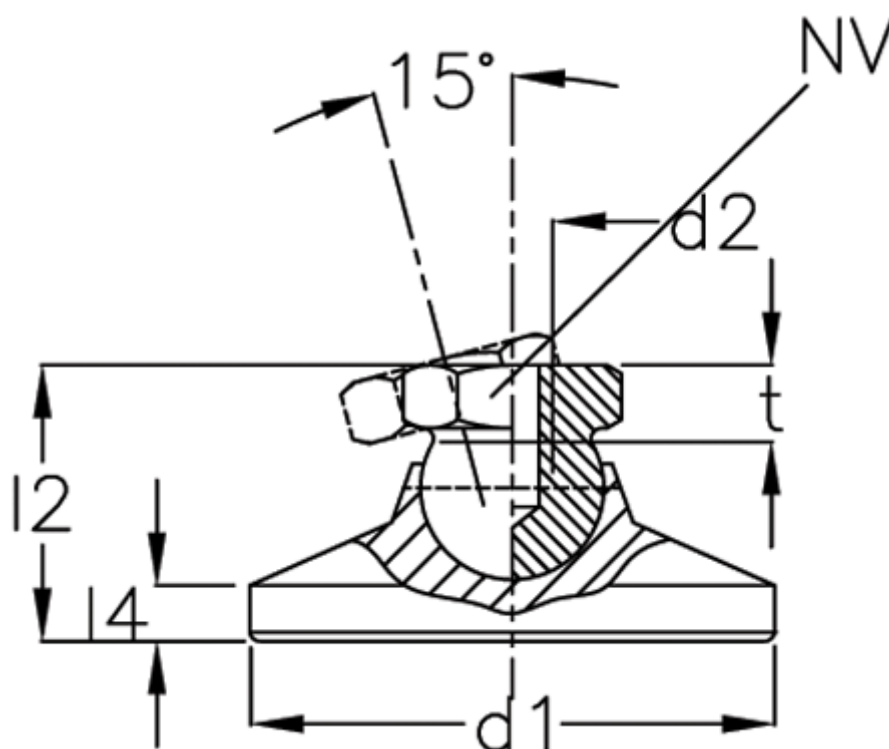


Data Sheet



Article number: 20343160M12OS
Description: E+G levelling foot
GN 343.1-60-M12-OS

Measures



d_1	= 60
d_2	= 12
l_2	= 36
l_4	= 8.5
NV	= 17
Static load (kN)	= 33
t min	= 11.5